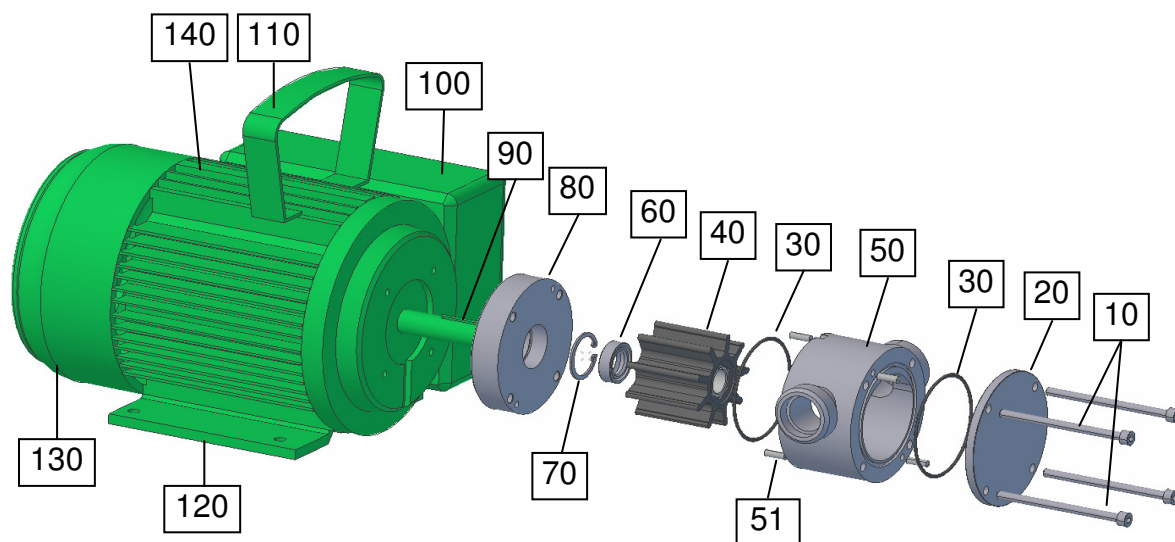


Parts list NIROSTAR 2000-B



Pos.:	Part / Designation	Code	Number
10	Hexagon head screw M5x75	70319	4
20	Front cover NIROSTAR-B	11014301	1
30	O-ring 56-2 NBR	80003	2
30	O-ring 56-2 EPDM	80151	2
30	O-ring 56-2 VITON	80150	2
40	Impeller Perbunan type B / polyamid bush	11012912	1
40	Impeller Perbunan type B / stainless steel bush	11012911	1
40	Impeller Neoprene type B / stainless steel bush	11012511	1
40	Impeller EPDM type B / stainless steel bush	11012411	1
40	Impeller EPDM type B / polyamid bush	11012413	1
40	Impeller VITON type A / stainless steel bush	11012801	2
40	Impeller VITON type A / polyamid bush	11012810	2
40	Impeller Plastic type A / polyamid bush	11012301	2
50	Housing NIROSTAR-B	11013902	1
51	Dowel 4x12 stainless steel	70268	4
60	Rotary shaft seal 14x26x7 NBR	80537	1
60	Rotary shaft seal 14x26x7 EPDM	80540	1
60	Rotary shaft seal 14x26x7 VITON	80538	1
70	Locking ring I 26x1,2 Niro	70167	1
80	Rear cover NIROSTAR/PF	11012703	1
90	Feather key A3x3x36	70317	1
100	Switch box motor 230V	80628	1
100	Switch box motor 400V	80630	1
110	Handle for motor	14000202	1
120	Motor base	FUSS00071	2
130	Ventilator cowl for motor BG 71	80621	1
140	Motor 230V; 0,55 KW; 1400 rpm; complete	80601	1
140	Motor 230V; 0,55 KW; 2800 rpm; complete	80606	1
140	Motor 400V; 0,55 KW; 1400 rpm; complete	80603	1
140	Motor 400V; 0,55 KW; 2800 rpm; complete	80602	1



Dimensions NIROSTAR 2000-B

