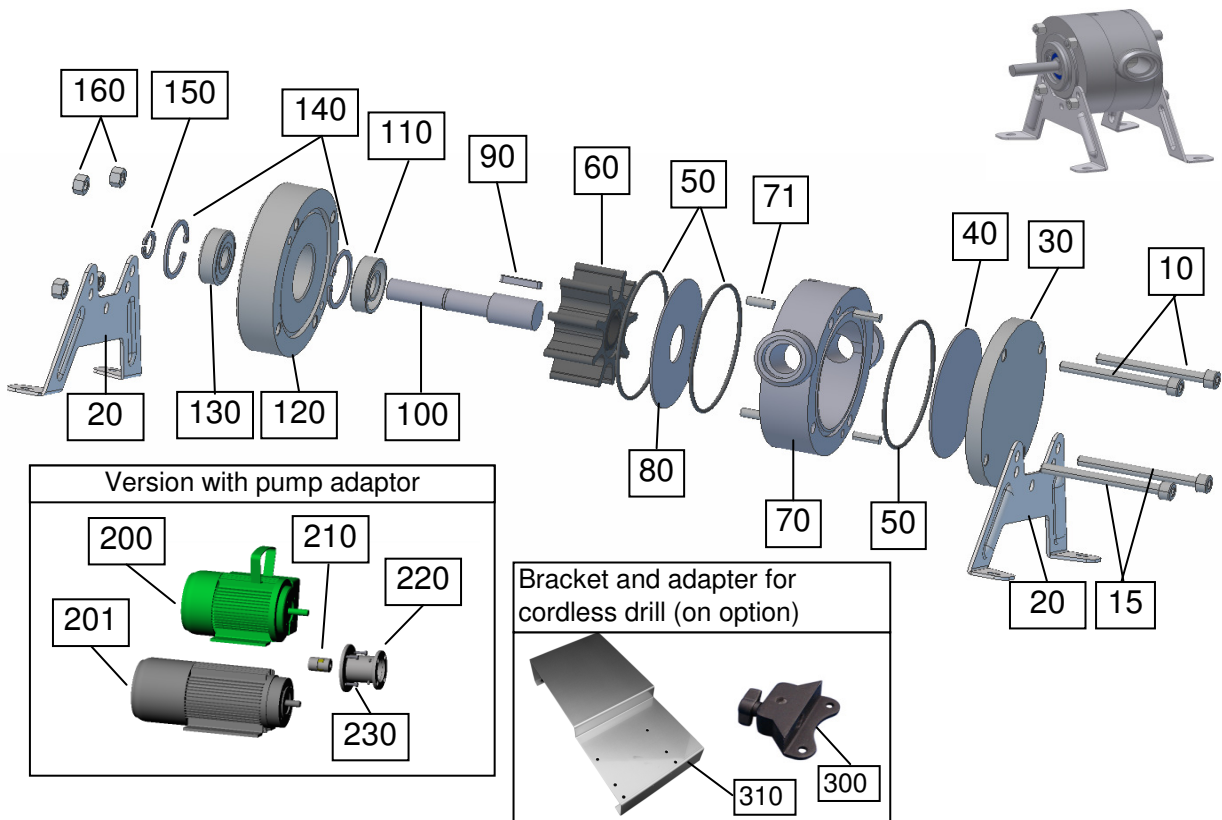




Parts list COMBISTAR 2001-A



Parts list

Pos.:	Part / Designation	Code	Number
10	Socket head cap screw M5x50	70325	2
15	Socket head cap screw M5x55	70326	2
20	Pedestal Aluminium	11012710	2
30	Front cover COMBISTAR	11012602	1
40	Lateral disc - stainless steel	11012009	1
50	O-ring 56-2 NBR	80003	3
50	O-ring 56-2 EPDM	80151	3
50	O-ring 56-2 VITON	80150	3
60	Impeller Perbunan type A / stainless steel bush	11012908	1
60	Impeller Perbunan type A / polyamid bush	11012909	1
60	Impeller Neoprene type A / stainless steel bush	11012505	1
60	Impeller EPDM type A / stainless steel bush	11012401	1
60	Impeller EPDM type A / polyamid bush	11012402	1
60	Impeller Viton type A / stainless steel bush	11012801	1
60	Impeller Viton type A / polyamid bush	11012810	1
60	Impeller plastic small / polyamide bush	11012301	1
70	Housing COMBISTAR-A	11012605	1
71	Dowel 4x12 stainless steel	70268	4
80	Lateral disc with hole - stainless steel	11012709	1
90	Shaft short 10mm	11012005	1
100	Fitting key A3x3x16	70315	1
110	Rotary shaft seal NBR for 10 mm shaft / 10x26x7	80142	1
110	Rotary shaft seal EPDM for 10 mm shaft / 10x26x7	80536	1
110	Rotary shaft seal Viton for 10 mm shaft / 10x26x7	80414	1



120	Rear cover COMBISTAR	11012603	1
130	Ball bearing 6000 2RS C3	80008	1
140	Locking ring I 26x1,2	70284	2
150	Locking ring A 10	70307	1
160	Hexagon nut M5	70040	4

Parts list accessories

Pos.:	Part / Designation	Code	Number
300	Drill adapter	11012300	1
310	Drill bracket	11012310	1

Parts list for pump with adapter

Pos.:	Part / Designation	Code	Number
10	Hexagon head screw M5x60 (pump adapter version)	70235	2
15	Hexagon head screw M5x60 (pump adapter version)	70235	2
200	Motor 230V; 0,37 KW; 1400 rpm; complete	80609	1
200	Motor 230V; 0,37 KW; 2800 rpm; complete	80608	1
200	Motor 400V; 0,37 KW; 1400 rpm; complete	80615	1
200	Motor 400V; 0,37 KW; 2800 rpm; complete	80613	1
201	Motor 12V-DC; 0,25 KW; 1500 rpm; complete	80099	1
201	Motor 12V-DC; 0,25 KW; 3000 rpm; complete	80101	1
201	Motor 24V-DC; 0,25 KW; 1500 rpm; complete	80098	1
201	Motor 24V-DC; 0,25 KW; 3000 rpm; complete	80100	1
210	Rotex coupling complete	141026	1
220	Pump adapter	12000101	1
230	Hexagon socket head cap screw M6x16		4

Dimensions COMBISTAR 2001-A

