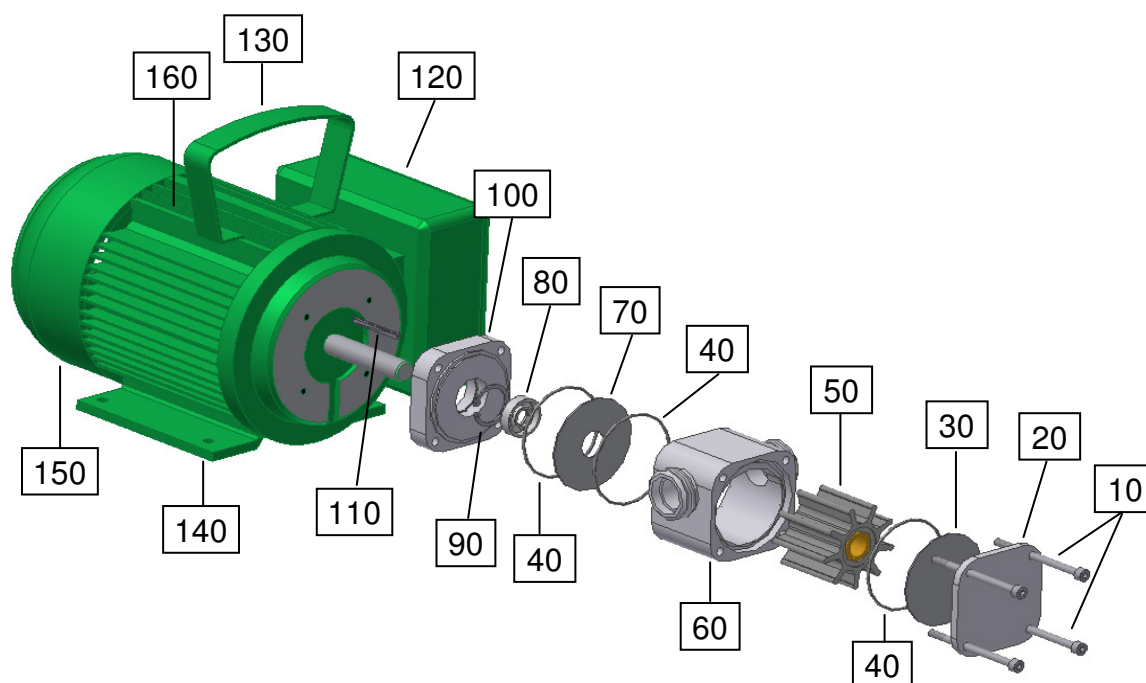


Parts list UNISTAR 2000-B



Parts list

Pos.:	Part / Designation	Code	Quantity
10	Hexagon head screw M5x75	70312	4
20	Front plate	11012009	1
30	Lateral disc without hole - stainless steel	11012009	1
40	O-ring 56-2 NBR	80003	3
50	Impeller Perbunan large / stainless steel bush	11012911	1
50	Impeller Perbunan large / polyamid bush	11012912	1
50	Impeller Neoprene large / stainless steel bush	11012511	1
50	Impeller Viton small / stainless steel bush	11012801	2
50	Impeller Viton small / polyamid bush	11012810	2
50	Impeller EPDM large / stainless steel bush	11012411	1
50	Impeller EPDM large / polyamid bush	11012413	1
50	Impeller Plastic small / polyamid bush	11012301	2
60	Housing large UNISTAR-B	11013008	1
70	Lateral disc with hole - stainless steel	11012709	1
80	Rotary shaft seal NBR 14x26x7	80537	1
80	Rotary shaft seal Viton 14x26x7	80538	1
80	Rotary shaft seal EPDM 14x26x7	80540	1
90	Locking ring I 26x1,2	70284	1
100	Rear plate	12000502	1
110	Fitting key A3x3x36	70317	1



120	Control box motor 230V	80628	1
120	Control box motor 400V	80630	1
130	Handle for motor	14000202	1
140	Motor base	FUSS00071	2
150	Fan cover for motor BG71	80621	1
160	Motor 230V; 0,55KW; 1400 rpm	80601	1
160	Motor 230V; 0,55KW; 2800 rpm	80606	1
160	Motor 400V; 0,55KW; 1400 rpm	80603	1
160	Motor 400V; 0,55KW; 2800 rpm	80602	1

Dimensions UNISTAR 2000-B

