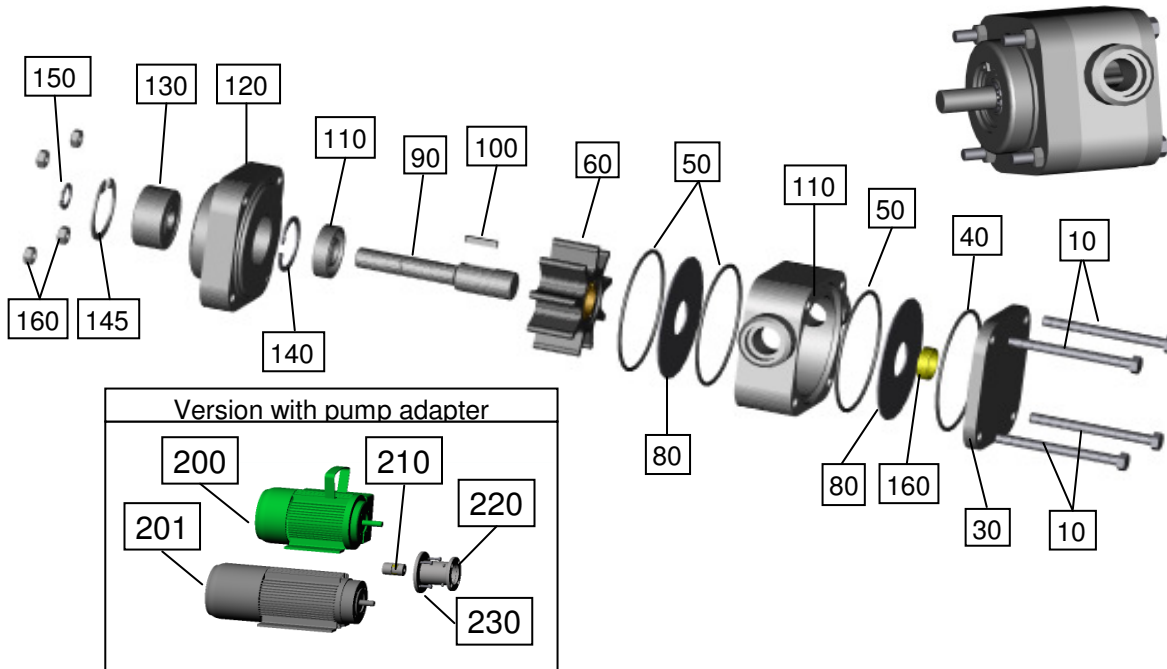


Part list UNISTAR 2000-A/PT



Stückliste

Pos.:	Part / Designation	Code	Qty.
10	Hexagon head screw M5x60	70235	4
30	Front plate	11012002GL	1
40	O-Ring 50-2 NBR	80005	1
50	O-Ring 56-2 NBR	80003	3
50	O-Ring 56-2 Viton	80150	3
50	O-Ring 56-2 EPDM	80151	3
60	Impeller Perbunan small / polyamide bush	11012909	1
60	Impeller Perbunan small / stainless steel bush	11012908	1
60	Impeller Neoprene small / stainless steel bush	11012505	1
60	Impeller Viton small / stainless steel bush	11012801	1
60	Impeller Viton small / polyamide bush	11012810	1
60	Impeller EPDM small / polyamide bush	11012402	1
60	Impeller EPDM small / stainless steel bush	11012401	1
60	Impeller plastic / polyamide bush	11012301	1
70	Housing small UNISTAR-A	11012001	1
80	Lateral disc with hole - stainless steel	11012709	2
90	Shaft short 10mm PT-Version	11012005PT	1
100	Fitting key A3x3x16	70315	1
110	Rotary shaft seal NBR for 10 mm shaft / 10x26x7	80142	1
110	Rotary shaft seal Viton for 10 mm shaft / 10x26x7	80414	1
110	Rotary shaft seal EPDM for 10 mm shaft / 10x26x7	80536	1
120	Rear plate	11012008PL	1
130	Ball yiont bearin 2200 2RS	80006	1
140	Locking ring I 26x1,2	70284	1
145	Locking ring I 30x1,2	70306	1
150	Locking ring A10	70307	1
160	Flide bushing XSM	141606	1
160	Hexagon nut M5	70003	4

