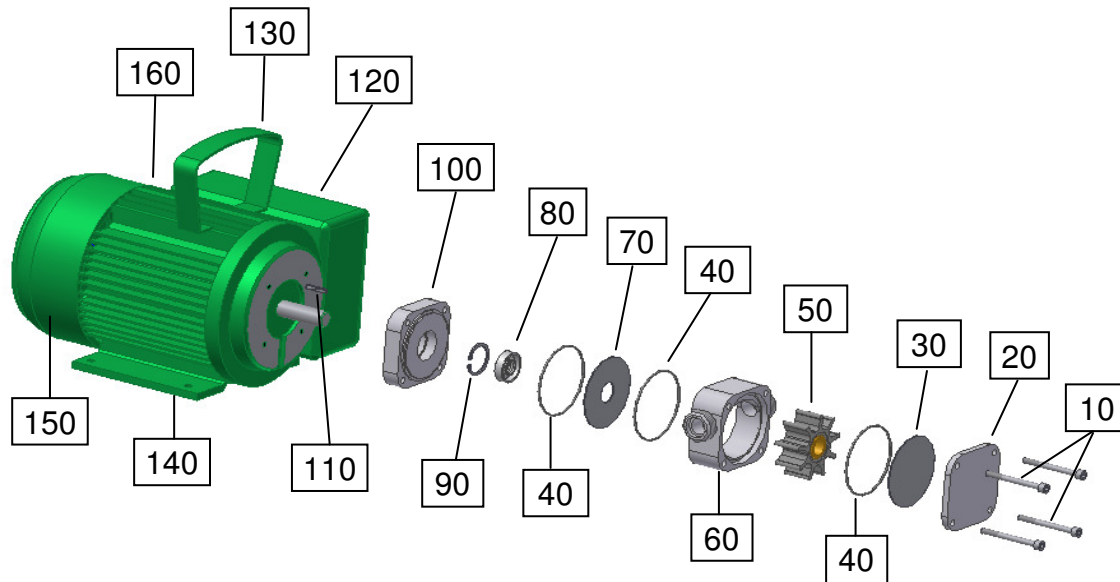


## Parts list UNISTAR 2000-A



### Parts list

Pos.:	Part/ Designation	Code	Number
10	Hexagon head screw M5x55	70031	4
20	Front cover	11012002	1
30	Wear plate without hole - stainless steel	11012009	1
40	O-Ring 56-2 NBR	80003	3
50	Impeller Perbunan small / stainless steel bush	11012908	1
50	Impeller Perbunan small / polyamid bush	11012909	1
50	Impeller Perbunan small / polyamid bush	11012909	1
50	Impeller Neoprene small / stainless steel bush	11012505	1
50	Impeller Viton small / stainless steel bush	11012801	1
50	Impeller Viton small / polyamid bush	11012810	1
50	Impeller EPDM small / stainless steel bush	11012401	1
50	Impeller EPDM small / polyamid bush	11012402	1
50	Impeller plastic small / polyamid bush	11012301	1
60	Housing UNISTAR-A small	11012001	1
70	Wear plate with punched hole - stainless steel	11012709	1
80	Rotary shaft seal NBR 14x26x7	80537	1
80	Rotary shaft seal Viton 14x26x7	80538	1
80	Rotary shaft seal EPDM 14x26x7	80540	1
90	Locking ring I 26x1,2	70284	1
100	Rear cover pump set	12000502	1
110	Feather key A3x3x16	70315	1

120	Switch box motor 230V	80628	1
120	Switch box motor 400V	80630	1
130	Handle for motor	14000202	1
140	Motor base	FUSS00071	1
150	Ventilator cowl for motor	80621	1
160	Motor 230 V; 0,37 KW; 1400 rpm	80600	1
160	Motor 230 V; 0,37 KW; 2800 rpm	80607	1
160	Motor 400 V; 0,37 KW; 1400 rpm	80605	1
160	Motor 400 V; 0,37 KW; 2800 rpm	80604	1

### Dimensions UNISTAR 2000-A

