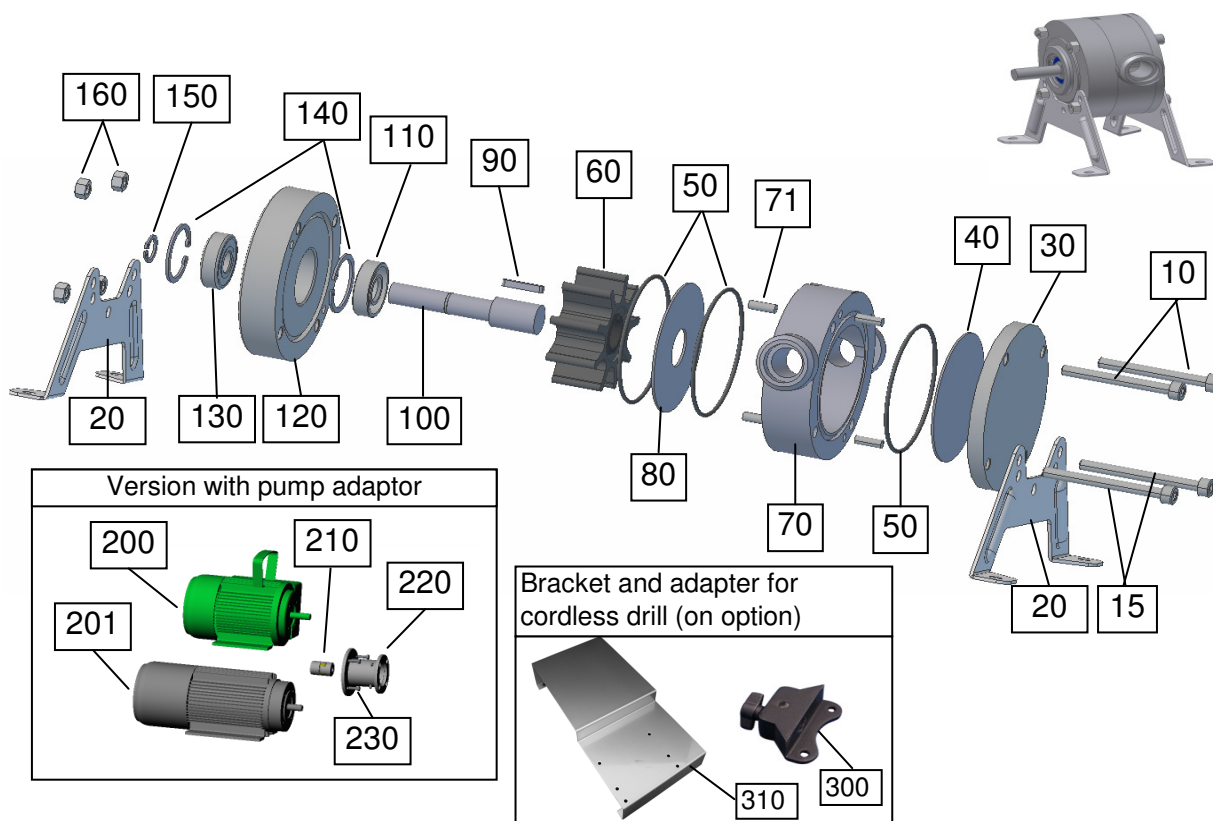


## Parts list COMBISTAR 2001-A



### Parts list

Pos.:	Part / Designation	Code	Number
10	Socket head cap screw M5x50	70325	2
15	Socket head cap screw M5x55	70326	2
20	Pedestal Aluminium	11012710	2
30	Front cover COMBISTAR	11012602	1
40	Lateral disc - stainless steel	11012009	1
50	O-ring 56-2 NBR	80003	3
50	O-ring 56-2 EPDM	80151	3
50	O-ring 56-2 VITON	80150	3
60	Impeller Perbunan type A / stainless steel bush	11012908	1
60	Impeller Perbunan type A / polyamid bush	11012909	1
60	Impeller Neoprene type A / stainless steel bush	11012505	1
60	Impeller EPDM type A / stainless steel bush	11012401	1
60	Impeller EPDM type A / polyamid bush	11012402	1
60	Impeller Viton type A / stainless steel bush	11012801	1
60	Impeller Viton type A / polyamid bush	11012810	1
60	Impeller plastic small / polyamide bush	11012301	1
70	Housing COMBISTAR-A	11012605	1
71	Dowel 4x12 stainless steel	70268	4
80	Lateral disc with hole - stainless steel	11012709	1
90	Shaft short 10mm	11012005	1
100	Fitting key A3x3x16	70315	1
110	Rotary shaft seal NBR for 10 mm shaft / 10x26x7	80142	1
110	Rotary shaft seal EPDM for 10 mm shaft / 10x26x7	80536	1
110	Rotary shaft seal Viton for 10 mm shaft / 10x26x7	80414	1

